

Table of contents

1. [US4449266\(A\)](#) - Toothbrush with two segments of bristles
 2. [US1353780\(A\)](#) - Toothbrush
 3. [EP1459649\(A1\)](#) - A toothbrush
 4. [GB402293\(A\)](#) - Tooth brush
 5. [US1967783\(A\)](#) - Method of making a toothbrush
 6. [US5497526\(A\)](#) - Tooth brushing device
 7. [US5114214\(A\)](#) - PROCESS FOR PRODUCING TOOTH BRUSHES AND BLANKS FOR USE FOR SAME
 8. [US5673454\(A\)](#) - Three-head toothbrush
 9. [US5114214\(A\)](#) - PROCESS FOR PRODUCING TOOTH BRUSHES AND BLANKS FOR USE FOR SAME
 10. [DE19516944\(A1\)](#) - Toothbrush with head at end of handle
 11. [DE674288\(C\)](#) - Zahnbuerste mit dreifachem (U-foermigem) Buerstenkopf mit Borstensaetzen
 12. [US2002157202\(A1\)](#) - Multiple head toothbrush
 13. [CH179403\(A\)](#) - Gerat zum Reinigen der Zahne und zum Massieren des Zahnfleisches.
-

Publications

1. [US4449266\(A\)](#) - Toothbrush with two segments of bristles

Publication Date: 22-May-1984

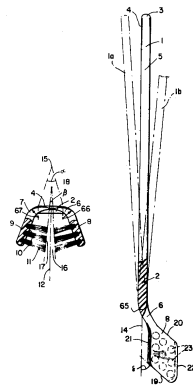
Inventors: NOERTHEMANN KARL-HEINZ [DE], KRAHN HEINRICH [DE]

Applicants: NOERTHEMANN KARL HEINZ, KRAHN HEINRICH

Abstract:

A toothbrush having an elongated handle, the handle defining a center plane containing the longitudinal axis. A pair of bristle-bearing segments, each segment containing a plurality of bristles mounted therein, is connected to the handle by a pair of short arms. The arms, bristle-bearing segments, and the handle form a fork having two prongs, each prong containing one bristle-bearing segment and one connecting arm. The prongs are located on opposite sides of the first center plane and below a second center plane perpendicular to the first center plane. The bristle-bearing segments have mutually facing inside surfaces sloping toward each other in a gable-manner and intersect above the upper side of the handle at a first angle of less than 55 DEG . The free ends of the bristles bound a gap and define side surfaces sloping in a gable-manner toward each other intersecting above the gap and at a second angle which is less than the first angle.

External Links & Translations: [Google patents](#), [Espacenet](#)



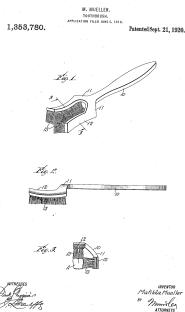
2. [US1353780\(A\)](#) - Toothbrush

Publication Date: 21-Sep-1920

Inventors: MATILDA MUELLER

Abstract:

External Links & Translations: [Google patents](#), [Espacenet](#)



3. [EP1459649\(A1\)](#) - A toothbrush

Publication Date: 22-Sep-2004

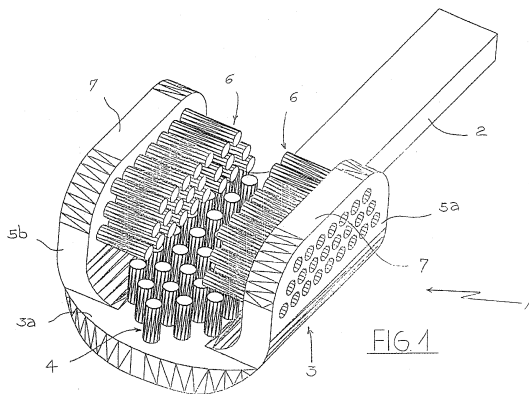
Inventors: CIARCIELLO PAOLO [IT]

Applicants: CIARCIELLO PAOLO [IT]

Abstract:

A toothbrush (1), comprising a grip (2) and a cleaning head (3) having a base (3a) provided with bristles (4), from which two facing appendages (5a;5b) extend with continuity, these appendages being provided with bristles (6). The appendages (5a;5b) are mutually parallel and substantially orthogonal to the base (3a) of the cleaning head (3) and their bristles (6) have variable lengths, ranging between a maximum dimension in correspondence with the grip (2) and a minimum dimension at the side opposite the grip (2).

External Links & Translations: [Google patents](#), [Espacenet](#)



4. [GB402293\(A\)](#) - Tooth brush

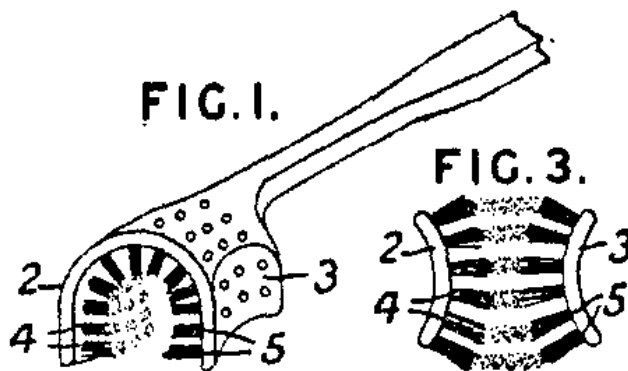
Publication Date: 30-Nov-1933

Applicants: EMIL RUDOLPH WALTER HEBBEL

Abstract:

402,293. Tooth brushes. HEBBEL, E. R. W., 63, Bondegatan, Stockholm. March 7, 1933, No. 6881. Convention date, Dec. 13, 1932. [Class 19.] A tooth-brush is made to brush both sides of the teeth simultaneously, and has a holder 2, 3, Fig. 1, more or less V-shaped with bristles 4, 5 set facing each other. Bristles are set in the top to brush the crowns of the teeth. The sides 2, 3, Fig. 3, of the holder are curved inwards facing each other, as shown in plan.

External Links & Translations: [Google](#), [Espacenet](#)



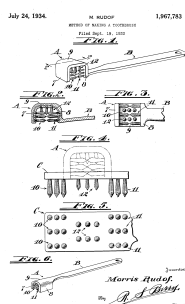
5. [US1967783\(A\)](#) - Method of making a toothbrush

Publication Date: 24-Jul-1934

Inventors: MORRIS RUDOF

Abstract:

External Links & Translations: [Google patents](#), [Espacenet](#)



6. [US5497526\(A\)](#) - Tooth brushing device

Publication Date: 12-Mar-1996

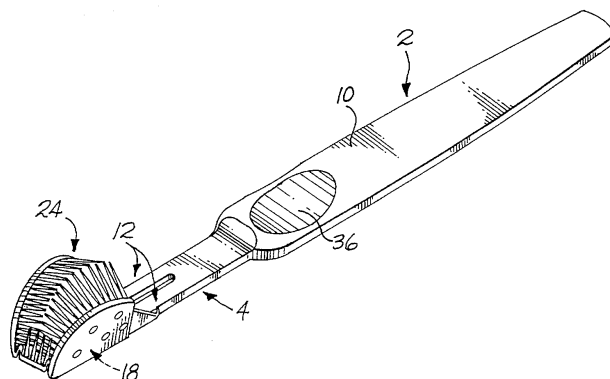
Inventors: KLINKHAMMER RONALD W [US]

Applicants: ORAL LOGIC INC [US]

Abstract:

The device is a straddle-type device in which the handle thereof has a pair of elongated arms and a cowling on the distal end thereof. The arms extend from the handle in generally parallel relationship to one another, with a slot therebetween, and the cowling is made of plastic resin material and supported on the arms at the distal end portions thereof. The cowling also bridges the slot and has an inverted U-shaped body, which in turn has endmost sections and a midsection therebetween. The endmost sections are encircled about the distal end portions of the arms in intimate contact with the opposing relatively inwardly directed surfaces thereof, as well as the relatively outwardly directed surfaces thereof and the relatively upper, lower and forward peripheral edges thereof. The midsection is flexibly interconnected with and between the endmost sections to form an articulated linkage across the slot, and yieldable bias is built into the arms which tends to pinch the distal end portions of the arms and thus the endmost sections of the cowling together. Meanwhile, fields of bristles that are monolithically upstanding on the relatively inwardly directed surfaces of the endmost sections, form brushes which engage the relatively inside and outside faces of the teeth when the device is straddled about a row of teeth at the cowling, and then translated along the length of the row while the brushes grip the teeth under the bias on the distal end portions of the arms, and the linkage serves to preserve that bias when the diameter of the teeth varies from one tooth to another.

External Links & Translations: [Google patents](#), [Espacenet](#)



7. **US5114214(A) - PROCESS FOR PRODUCING TOOTH BRUSHES AND BLANKS FOR USE FOR SAME**

Publication Date: 19-May-1992

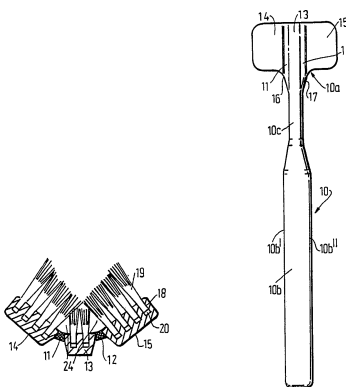
Inventors: BARMAN ROLF [NO]

Applicants: BARMAN ROLF [NO]

Abstract:

PCT No. PCT/NO88/00091 Sec. 371 Date Aug. 21, 1990 Sec. 102(e) Date Aug. 21, 1990 PCT Filed Dec. 13, 1988 PCT Pub. No. WO90/06701 PCT Pub. Date Jun. 28, 1990. A process for producing a toothbrush produced thereby have the cavities (11, 12) arranged on the back side of the tooth brush head. The longitudinal axes (14a, 15a) for angling the head portions (13, 14, 15) relative to each other are arranged on or at the bristle-carrying side of the head portion directly opposite the associated cavity (11, 12). A blank for carrying out the process and a toothbrush produced thereby have the cavities (11, 12) arranged on the back side of the toothbrush head. The longitudinal axes (14a, 15a) for angling the head portions (13, 14, 15) relative to each other are arranged on or at the bristle-carrying side of the head portion directly opposite the associated cavity (11, 12).

External Links & Translations: [Google patents](#), [Espacenet](#)



9. **US5114214(A)** - PROCESS FOR PRODUCING TOOTH BRUSHES AND BLANKS FOR USE FOR SAME

Publication Date: 19-May-1992

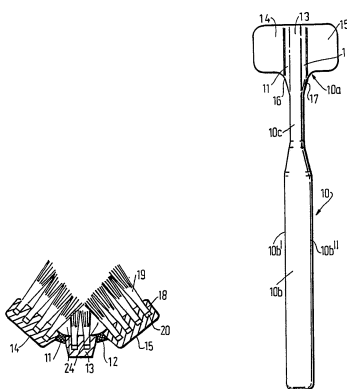
Inventors: BARMAN ROLF [NO]

Applicants: BARMAN ROLF [NO]

Abstract:

PCT No. PCT/NO88/00091 Sec. 371 Date Aug. 21, 1990 Sec. 102(e) Date Aug. 21, 1990 PCT Filed Dec. 13, 1988 PCT Pub. No. WO90/06701 PCT Pub. Date Jun. 28, 1990. A process for producing a toothbrush produced thereby have the cavities (11, 12) arranged on the back side of the tooth brush head. The longitudinal axes (14a, 15a) for angling the head portions (13, 14, 15) relative to each other are arranged on or at the bristle-carrying side of the head portion directly opposite the associated cavity (11, 12). A blank for carrying out the process and a toothbrush produced thereby have the cavities (11, 12) arranged on the back side of the toothbrush head. The longitudinal axes (14a, 15a) for angling the head portions (13, 14, 15) relative to each other are arranged on or at the bristle-carrying side of the head portion directly opposite the associated cavity (11, 12).

External Links & Translations: [Google patents](#), [Espacenet](#)



10. [DE19516944\(A1\)](#) - Toothbrush with head at end of handle

Publication Date: 14-Nov-1996

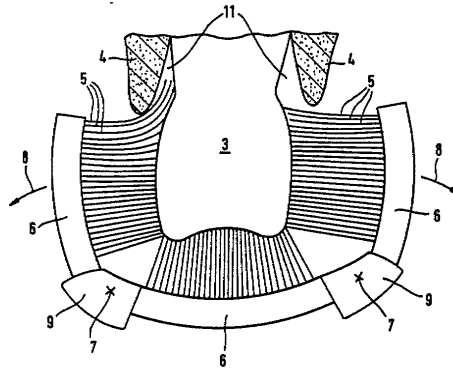
Inventors: WIEDEMANN WOLFGANG PROF DR [DE]

Applicants: WIEDEMANN WOLFGANG PROF DR [DE]

Abstract:

The toothbrush has a brush head at one end of a handle (1), which comprises filaments (5) attached to a carrier plate (6). The free ends of the filaments form a channel whose longitudinal axis runs along the direction of the handle. The depth of the channel corresponds to the distance between the upper side of the tooth and the base of the gum (4). The maximum diameter of the channel corresponds with the maximum width at the middle of the tooth (3).

External Links & Translations: [Google patents](#), [Espacenet](#)



11. [DE674288\(C\)](#) - Zahnburste mit dreifachem (U-foermigem) Buerstenkopf mit Borstensaetzen

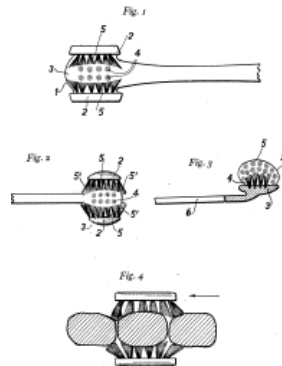
Publication Date: 12-Apr-1939

Inventors: DEUTSCH DR AUGUST ANDREAS

Applicants: WILHELM ERNST REESER

Abstract:

External Links & Translations: [Google patents](#), [Espacenet](#)



12. [US2002157202\(A1\)](#) - Multiple head toothbrush

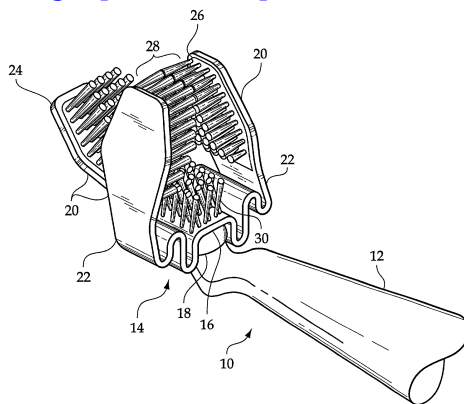
Publication Date: 31-Oct-2002

Inventors: HARTEL DAVID [US]

Abstract:

A toothbrush, for contacting multiple dental surfaces simultaneously, comprising a handle and a head assembly. The head assembly includes a head junction, and a plurality of heads attached to the head junction. The heads include a pair of side heads having opposed bristles, and a forward head. The side heads substantially perpendicularly downward from the head junction, and the forward head extends at an obtuse angle from the head junction. A middle head is located immediately beneath the head junction. Both side heads and the forward head are each attached to the head junction with a U-joint which allows each head to flex with respect to the head junction.

External Links & Translations: [Google patents](#), [Espacenet](#)



13. [CH179403\(A\)](#) - Gerät zum Reinigen der Zähne und zum Massieren des Zahnfleisches.

Publication Date: 15-Sep-1935

Inventors: EMIL LANDOLT-COTTI [CH]

Applicants: LANDOLT COTTI EMIL [CH]

Abstract:

External Links & Translations: [Google](#), [Espacenet](#)

